

FD3

LEDFRE200

The FD3 is a professional LED theatrical fresnel. It features a 10° to 60° manual zoom with a powerful 100W LED engine. It uses high quality tungsten LEDs, tuned to a temperature of 3200K. Boasting a CRI of over 96, this fresnel provides solid and accurate colour representation for video and photography. With TRIAC dimming compatibility, the fixture can be controlled either through DMX or dimming. The FD3 is a lightweight, dependable fresnel, ideal for situations where both small size and power is required.



FD3 Specifications

Optical System

Lamp Source	100W LED
Beam Angle	10° to 60°
CCT	3200K
CRI	96

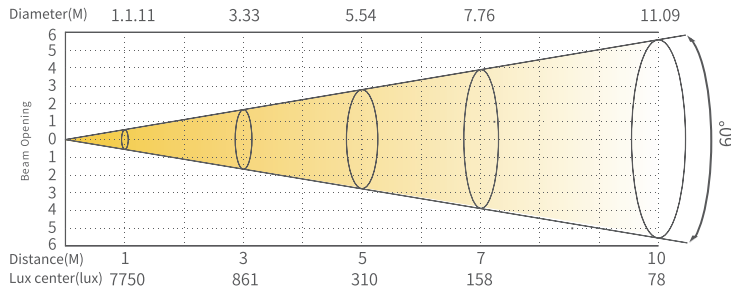
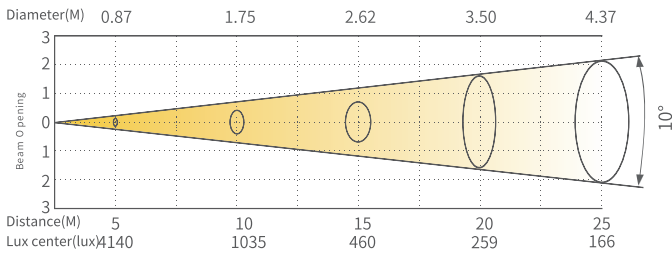
Electrical Specifications

Voltage	100 – 240VAC 50/60Hz
Max Power	100W
Power Connection	PowerCon In/Out
Signal Connection	5pin DMX In/Out

Work Environment

Ambient Temperature	0°C to 45°C
IP Rating	IP20

Photometrics



Control System

Dimmer	0 to 100% 16-bit
Cooling	Forced Convection
Control	DMX512, RDM, Dimming Control
Display	On-board Control
Zoom	Manual
Personality	UNO(1), DOS(2), STD.P(3)

Appearance

Size (LWH)	324 x 281 x 389mm
Weight	6.1kg
Casing	Aluminium Die Cast
Colour	Black

Included Accessories

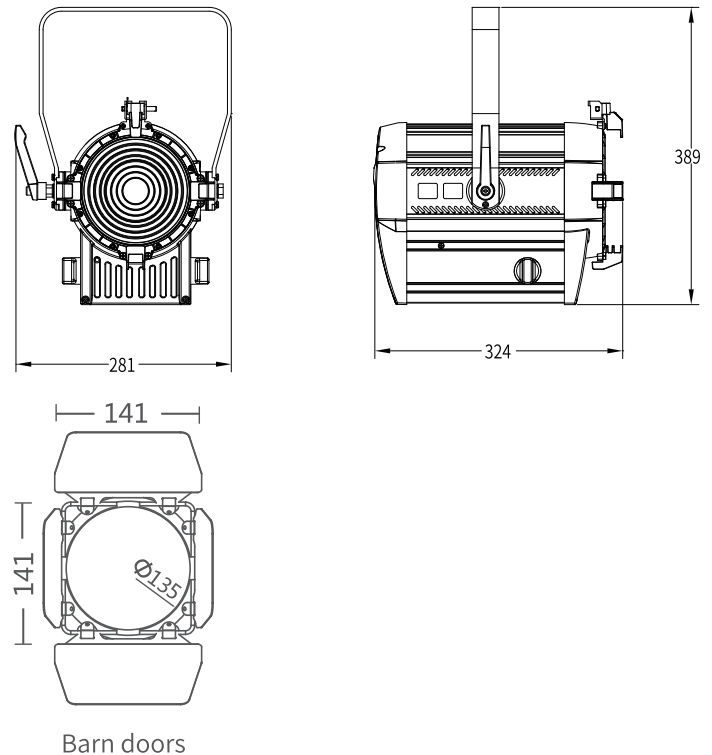
PSHCAB100 2m PowerCon Piggy Back

Optional Accessories

LEDFRE101 Barndoors

Dimensions

Size (LWH) 324 x 281 x 389mm



SYDNEY
+61 2 9748 1122

MELBOURNE
+61 3 9681 7511

PERTH
+61 8 9248 8119

BRISBANE
+61 7 3267 3177

AUCKLAND
+64 9 869 3293

SHOW
TECHNOLOGY